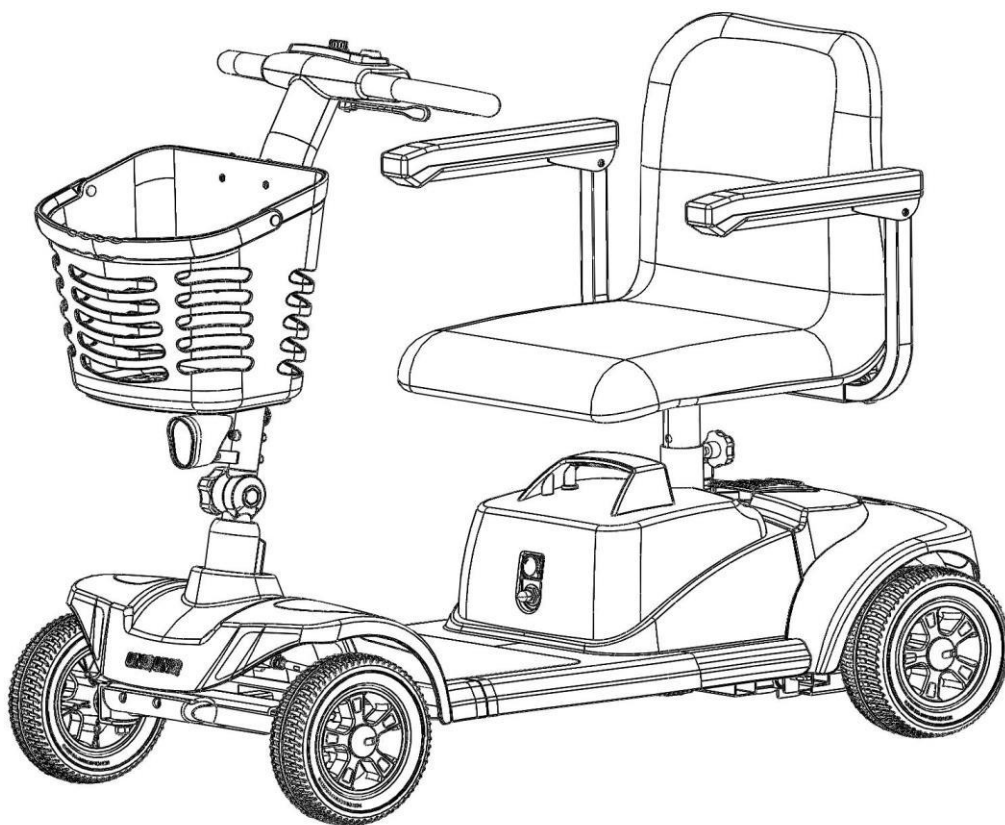


# **Skippa**

## **Mobility Scooter**

### **Owner Manual**



**KR** *Komfi-Rider*

# CATALOGUE

<b>I. SAFETY GUIDELINES.....</b>	<b>3</b>
<b>II. SPECIFICATION .....</b>	<b>5</b>
<b>III. YOUR TRAVEL SCOOTER .....</b>	<b>6</b>
<b>IV. OPERATION.....</b>	<b>9</b>
<b>V. DISASSEMBLY AND ASSEMBLY.....</b>	<b>11</b>
<b>VI. BATTERY AND CHARGING.....</b>	<b>14</b>
<b>VII. COMFORT ADJUSTMENTS.....</b>	<b>15</b>
<b>VIII. CARE AND MAINTENANCE .....</b>	<b>17</b>
<b>IX. FAULT DIAGNOSIS .....</b>	<b>18</b>
<b>X. WARRANTY .....</b>	<b>20</b>

## I. SAFETY GUIDELINES

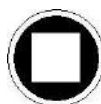


**WARNING!** An authorized Provider or qualified technician must perform the initial setup of this scooter and must perform all of the procedures in this manual.

The symbols below are used throughout this owner's manual and on the scooter to identify warnings and important information. It is very important for you to read them and understand them completely.



**WARNING!** Indicates a potentially hazardous condition/situation. Failure to follow designated procedures can cause either personal injury, component damage, or malfunction.



**MANDATORY!** These actions should be performed as specified. Failure to perform mandatory actions can cause personal injury and/or equipment damage.



**PROHIBITED!** These actions are prohibited. These actions should not be performed at any time or in any circumstances. Performing a prohibited action can cause personal injury and/or equipment damage.

### GENERAL



**MANDATORY!** Do not operate your new Travel Scooter for the first time without completely reading and understanding this owner's manual and the Consumer Safety Guide.

Your Travel Scooter is a state-of-the-art life-enhancement device designed to increase mobility. We provide an extensive variety of products to best fit the individual needs of the Travel Scooter user. Please be aware that the final selection and purchasing decision regarding the type of Travel Scooter to be used is the responsibility of the Travel Scooter user who is capable of making such a decision and his/her health care professional (i.e., medical doctor, physical therapist, etc.).

The contents of this manual are based on the expectation that a mobility device expert has properly fitted the Travel Scooter to the user and has assisted the prescribing health care professional and/or the authorized Provider in the instruction process for the use of the product.

There are certain situations, including some medical conditions, where the Travel Scooter user will need to practice operating the Travel Scooter in the presence of a trained attendant. A trained attendant can be defined as a family member or care professional specially trained in assisting a Travel Scooter user in various daily living activities.

As you begin using your Travel Scooter during daily activities, you will probably encounter situations in which you will need some practice. Simply take your time and you will soon be in full and confident control as you manoeuvre through doorways, on and off elevators, up and down ramps, and over moderate terrain.

Additional general information can be found on the supplemental information sheets and booklets included in your Owner's Package. Please fully read and review the information, and keep it readily available for future reference.

Below are some precautions, tips, and other safety considerations that will help you become accustomed to operating the Travel Scooter safely.

#### **PRE-RIDE SAFETY CHECK**

Get to know the feel of your Travel Scooter and its capabilities. We recommend that you perform a safety check before each use to make sure your Travel Scooter operates smoothly and safely.

#### **Perform the following inspections prior to using your Travel Scooter:**

- Check the condition of the tyres. Make sure they are not damaged or excessively worn.
- Check all electrical connections. Make sure they are tight and not corroded.
- Check all harness connections. Make sure they are secured properly.
- Check the brakes to ensure they operate properly.
- Check the battery condition meter to ensure the batteries are fully charged.
- Ensure the manual freewheel lever is in drive mode before sitting on the Travel Scooter.

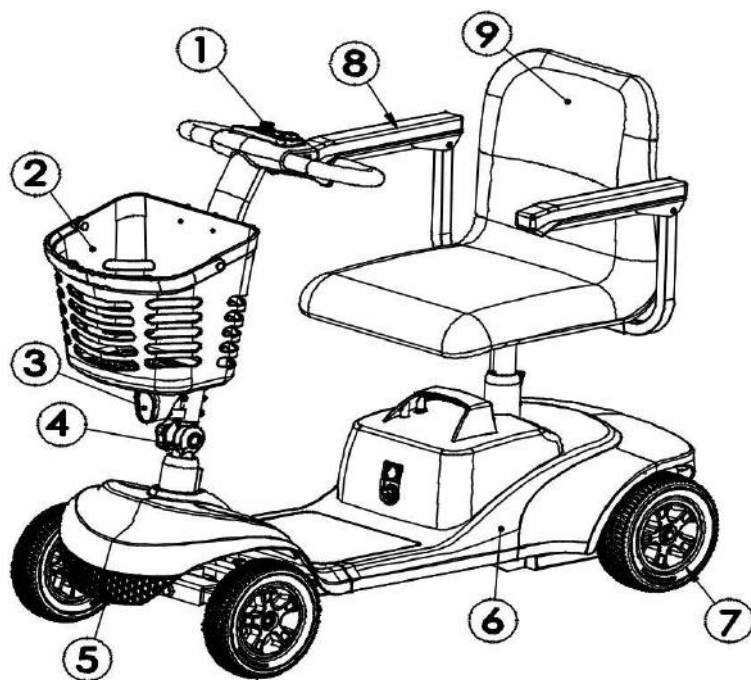
If you discover a problem, contact your authorized Provider for assistance. Please refer to the Contact Information insert in your Owner's Package.

## II. SPECIFICATION

Model Reference	Boot Scooter 12AH
User Weight Capacity	21.5st / 135kg
Heaviest component when disassembled	16kg
Total weight with battery	44kg (with battery)
Speed (Maximum)	4 Mph / 6kph
Pre-Charged Range	6-8 miles / 9-12km*
Max climbing angle	10°±1°
Min. turning radius	4-wheel: 1350mm / 53''
Overall length	4-wheel: 1070mm / 42''
Overall width	4-wheel: 490mm / 19''
Seat height	Adjustable
Front Tyre	200 x 50 mm PU Puncture proof
Rear Tyre	200 x 70 mm PU Puncture proof
Ground clearance – mid frame	70mm / 3''
Battery	2 x 12AH 12V
Charger	2 Amp off-board
Driving System	Direct drive (the rear wheel)
Brake System	Automatic Electromagnetic brake
Control Method	By throttle lever; Dynamic 45A
Optional Extra – Supper Batteries	2 x 21AH Batteries – 10-12mi/16-19km*

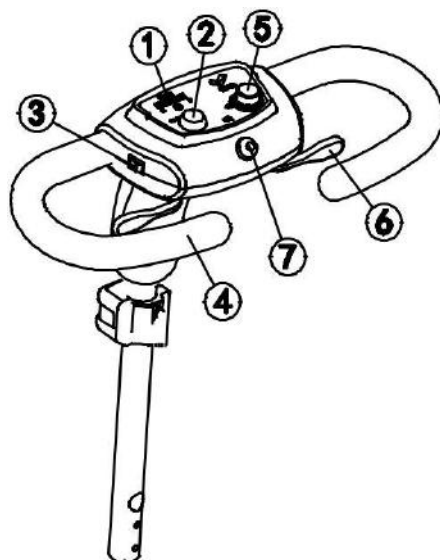
\*Subject to user weight and terrain

### III. YOUR TRAVEL SCOOTER



- |                          |            |               |
|--------------------------|------------|---------------|
| ① TILLER CONSOLE         | ② BASKET   | ③ FRONT LIGHT |
| ④ TILLER ADJUSTMENT KNOB | ⑤ BUMPER   | ⑥ SHROUD      |
| ⑦ REAR WHEEL             | ⑧ ARM REST | ⑨ SEAT        |

#### • DETAILS



- |                 |                         |                          |
|-----------------|-------------------------|--------------------------|
| ① BATTERY GAUGE | ② KEY SWITCH            | ③ LIGHT SWITCH           |
| ④ HAND GRIP     | ⑤ SPEED ADJUSTMENT DIAL | ⑥ THROTTLE CONTROL LEVER |
|                 |                         | ⑦ HORN                   |

## ■ TILLER CONSOLE

The tiller console houses all controls needed to drive your Travel Scooter, including the key switch, throttle control lever, horn button, speed adjustment dial, and the battery gauge.

### ● Key Switch

Insert the key into the key switch and turn it clockwise to power up (turn on) your Travel Scooter. Turn the key counter clockwise to power down (turn off) your Travel Scooter.



**WARNING! If the key is moved to the “off” position while your Travel Scooter is in motion, the electronic brakes will engage and your Travel Scooter will come to an abrupt stop!**

### ● Battery Gauge

When the key is fully inserted into the key switch and turned clockwise to power up your scooter, this meter indicates approximate battery strength.

The battery condition meter on the tiller console indicates the approximate strength of your batteries using a colour code. From left to right on the meter, green indicates fully charged batteries, yellow a draining charge, and red indicates that an immediate recharge is necessary.

### ● Speed Adjustment Dial

This dial allows you to preselect and limit your Travel Scooter’s top speed in the range of 0Km/h~6Km/h.

The image of the tortoise represents the slowest speed setting.

The image of the hare represents the fastest speed setting.

### ● Light Switch

This switch controls your Travel Scooter’s lighting system.

Toggle the switch forward to turn on the lighting system.

Toggle the switch rearward to turn off the lighting system.

### ● Throttle Control Lever

This lever allows you to control the forward speed and the reverse speed of your Travel Scooter up to the maximum speed you pre-set with the speed adjustment dial.

Place your right hand on the right hand grip and your left hand on the left hand grip. To move forward, use either of the following:

- Use your left thumb to push the left side of the throttle control lever.
- Use your right hand fingers to pull back on the right side of the throttle control lever.

To move rearward, use either of the following:

- Use your right thumb to push the right side of the throttle control lever.
- Use your left hand fingers to pull back on the left side of the throttle control lever.

Release the lever and allow your Travel Scooter to come to a complete stop before pushing the other side of the lever to move in reverse. When the scooter is moving in reverse, the reverse beeper will sound.

When the throttle is completely released, it automatically returns to the centre “stop” position and engages your Travel Scooter’s brakes.

#### ● Horn Button



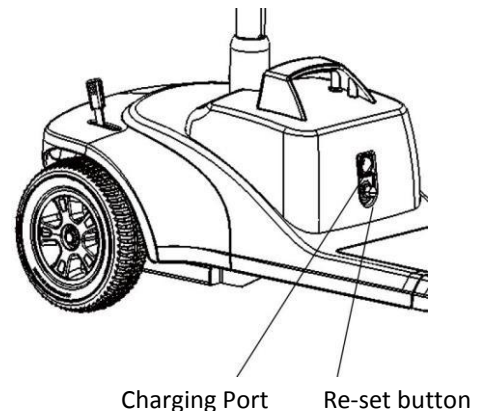
This button activates a warning horn. Your Travel Scooter must be turned on for the horn to be operational. Do not hesitate to use the warning horn when doing so may prevent accident or injury.

#### ● Charger Power Cord Receptacle

The 3-pin end of the charger power cord plugs into this receptacle.

#### ● Re-set Button

There is a re-set button under the charging port. The re-set button will be released to protect the motor and electronic control system if overloading occurs due to climbing a steep/long hill etc. Allow several seconds then press the re-set button to resume driving.

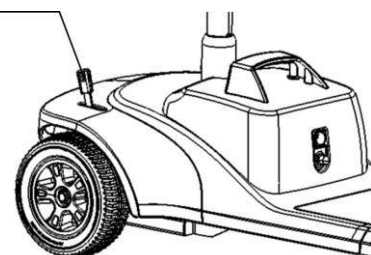


#### ● Manual Freewheel Lever

Whenever you need or want to push your Travel Scooter for short distances, you can put it in freewheel mode.

1. Locate the manual freewheel lever at the top right of the rear section.
2. Push forward on the manual freewheel lever to disable the drive system and the brake system. You may now push your Travel Scooter.

Freewheel lever



3. Push the manual freewheel lever rearward to reengage the drive and the brake systems; this takes your Travel Scooter out of freewheel mode.





**WARNING!** Before placing your Travel Scooter into or taking it out of freewheel mode, remove the key from the key switch. Never sit on a Travel Scooter when it is in freewheel mode. Never put a Travel Scooter in freewheel mode on any incline.



**WARNING!** When your Travel Scooter is in freewheel mode, the braking system is disengaged.

- Disengage the drive motors only on a level surface.
- Ensure the key is removed from the key switch.
- Stand to the side of the scooter to engage or disengage freewheel mode. Never sit on a scooter to do this.
- After you have finished pushing your Travel Scooter, always return it to the drive mode to lock the brakes.

#### ● **Motor/Transaxles Assembly**

The motor /transaxle assembly is an electromechanical unit that converts electrical energy from your travel scooter's batteries into the controller mechanical energy that drives the travel scooter's wheels.

#### ● **Anti-Tip Wheels**

The anti-tip wheels are an integral and important safety feature of your travel scooter. They are bolted to the frame at the rear of the travel scooter.

### **IV. OPERATION**

#### ● **BEFORE GETTING ONTO YOUR TRAVEL SCOOTER**

Keep your batteries fully charged and avoid deeply discharging your batteries. Never leave the manual freewheel lever in the forward position unless you are manually pushing your Travel Scooter.

#### ● **GETTING ONTO YOUR TRAVEL SCOOTER**

1. Make certain that the key is removed from the key switch.



**WARNING!** Never attempt to get onto or off of your Travel Scooter without first removing the key from the key switch. This will prevent the Travel Scooter from moving if accidental throttle control lever contact is made.

2. Stand at the side of your Travel Scooter.
3. Disengage the seat rotation lever and rotate the seat until it is facing you.
4. Make certain that the seat is secured into position.
5. Position yourself comfortably and securely in the seat.
6. Disengage the seat rotation lever and rotate the seat until you are facing forward.

7. Make certain that the seat is secured into position.
8. Make certain that your feet are safely on the floorboard.

#### ● OPERATING YOUR TRAVEL SCOOTER

**WARNING! The following can adversely affect steering and stability while operating your Travel Scooter:**



- Holding onto or attaching a leash to walk your pet.
- Carrying passengers (including pets).
- Hanging any article from the tiller.
- Towing or being pushed by another motorized vehicle.

**WARNING! Keep both hands on the tiller and your feet on the floorboard at all times while operating your Travel Scooter. This driving position gives you the most control over your vehicle.**

- Set the speed adjustment dial to your desired speed.
- Press your thumb against the appropriate side of the throttle control lever.
- The electromechanical disc park brake automatically disengages and the Travel Scooter accelerates smoothly to the speed you preselected with the speed adjustment dial.
- Pull on the left hand grip to steer your Travel Scooter to the left.
- Pull on the right hand grip to steer your Travel Scooter to the right.
- Move the tiller to the centre position to drive straight ahead.
- To stop, slowly release the throttle control lever. The electronic brakes will automatically engage when your Travel Scooter comes to a stop.

#### ● GETTING OFF OF YOUR TRAVEL SCOOTER

1. Bring your Travel Scooter to a complete stop.
2. Remove the key from the key switch.

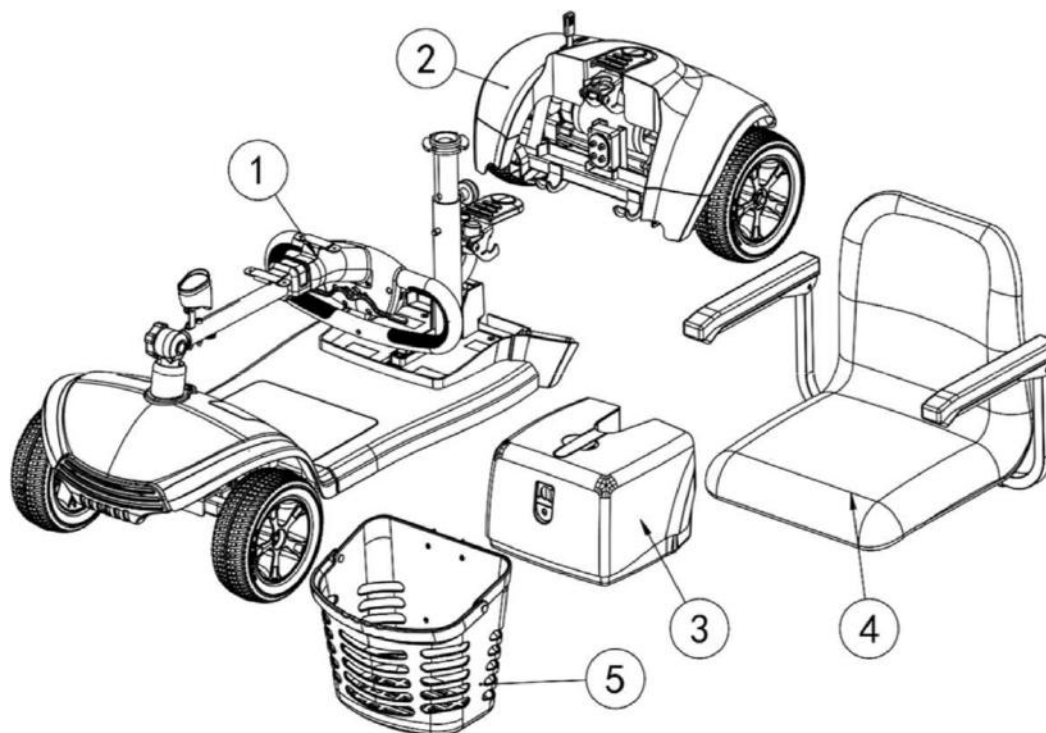


**WARNING! Never attempt to get onto or off of your Travel Scooter without first removing the key from the key switch. This will prevent the Travel Scooter from moving if accidental throttle control lever contact is made.**

3. Disengage the seat rotation lever and rotate the seat until you are facing toward the side of your Travel Scooter.
4. Make certain that the seat is secured into position.
5. Carefully and safely get out of the seat and stand to the side of your Travel Scooter.
6. You can leave the seat facing to the side to facilitate boarding your Travel Scooter next time.

## V. DISASSEMBLY AND ASSEMBLY

The travel scooter includes the front section, rear section, battery pack, seat and basket. Please follow the following steps of disassembly and assembly.



① Front section

② Rear section

③ Battery Pack

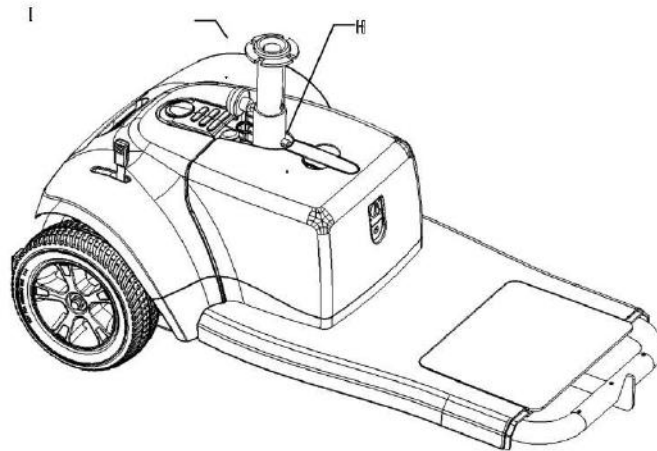
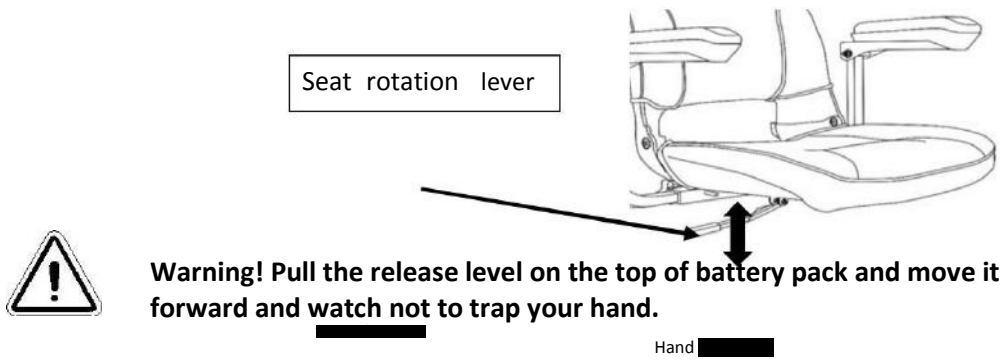
④ Seat

⑤ Basket

### ● Disassembly Procedures

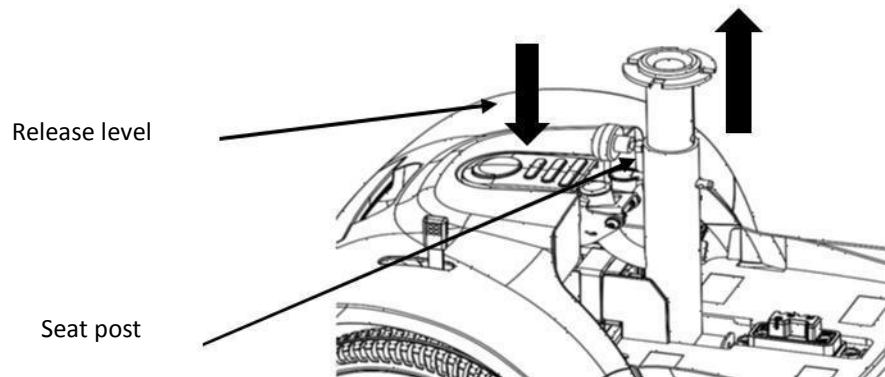
1. Remove the key from the key switch.
2. Remove the seat by pulling up the seat rotation lever and lifting it straight up off the scooter. If you encounter resistance, disengage the seat rotation lever and swivel the seat back and forth while lifting up.

3. Remove the battery pack by lifting the pack straight up and off of the Travel Scooter.



### Frame Separation

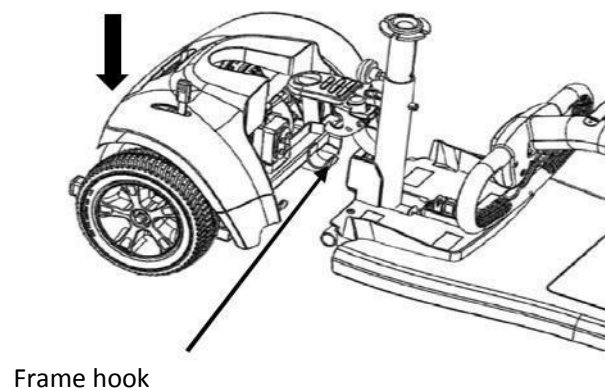
Press the release level with one hand and lift up the seat tube to slowly separate the two sections of the Travel Scooter.



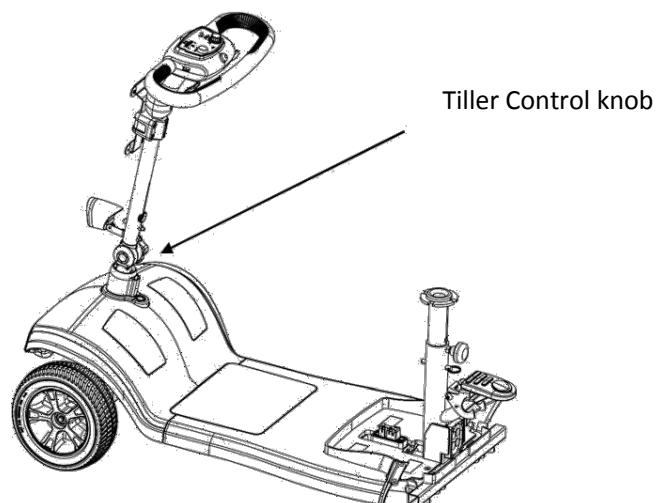
- **Assembly**

**NOTE: Before attempting assembly, tilt the rear half of the Travel Scooter slightly back on the anti-tip wheels.**

1. Tilt the rear half of the Travel Scooter slightly back on the anti-tip wheels.
2. Use the seat post to lift the front section as you align the frame tubes of the front section with the lower frame hooks of the rear section.
3. Once the frame tubes are over the lower frame hooks, lower the front section and pivot the rear section, pressing down the frame release lever simultaneously.
4. Raise the tiller and fully tighten the tiller adjustment knob.
5. Reinstall the battery pack.
6. Reinstall the seat and rotate it until it is secured into place.



**NOTE: Prior to moving your travel scooter, please make sure the tiller is fixed securely.**



## VI. BATTERIES AND CHARGING

### BATTERIES AND CHARGING

Your Travel Scooter requires 2 x 12 volt lead acid batteries that are sealed and maintenance free. They are recharged by the supplied off-board charging system.

- Charge your Travel Scooter's batteries for at least 10 to 12 hours prior to using it for the first time.
- Keep the batteries fully charged to keep your Travel Scooter running smoothly. If the scooter is unused for a long period of time, then the batteries should be charged regularly once a week to keep the batteries at full status.

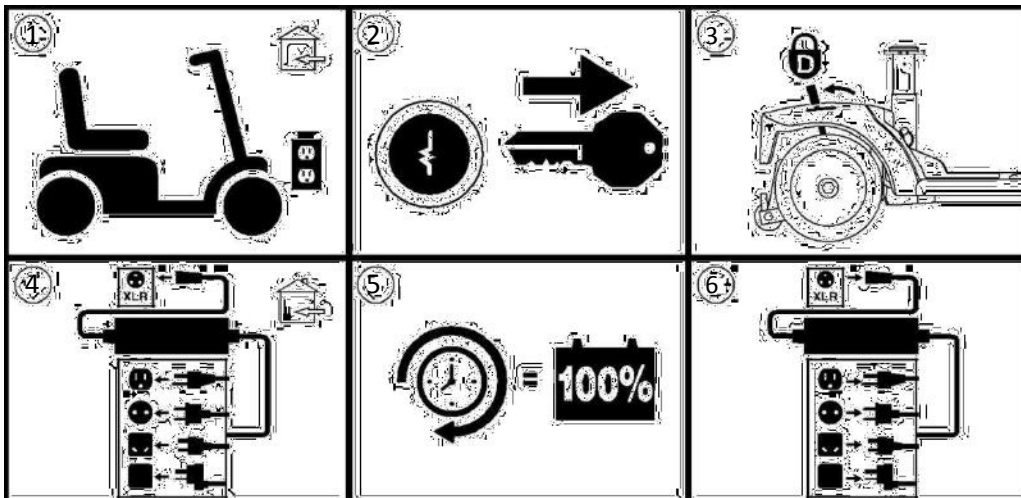


**WARNING! Do not attempt to open the battery charger case. If the battery charger does not appear to be working correctly, contact your authorized Provider.**

#### Charging your batteries

The charger specification is DC24V/2.0Amp.

**Follow the 6 easy steps to charge your batteries safely:**



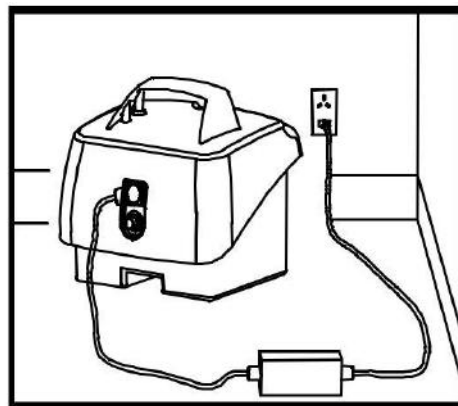
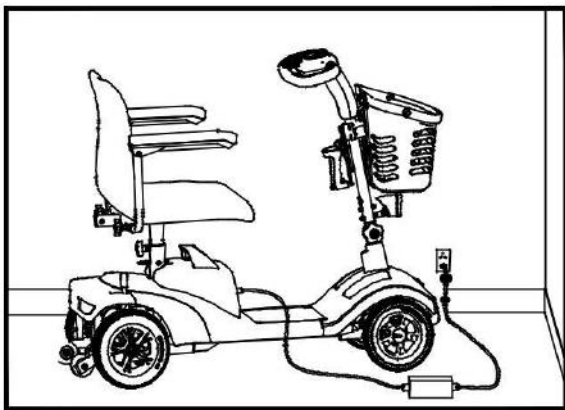
**WARNING!** Chargers are selected precisely for particular applications and are especially matched to the type, size, and chemical formulation of specific batteries. For the safest and most efficient charging of your Travel Scooter's batteries, we recommend use of the charger supplied as original equipment with your product only. Any charging method resulting in batteries being charged individually is especially prohibited.



**WARNING!** Do not attempt to disassemble the battery from the battery pack or refit the battery.



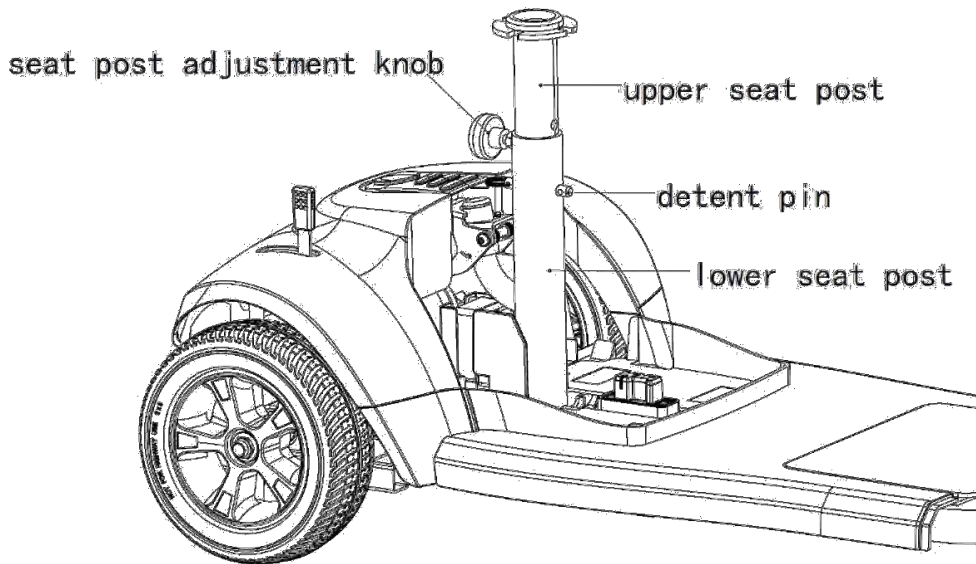
**WARNING!** If your battery charger has not been tested and approved for outdoor use, then do not expose it to adverse or extreme weather conditions. If the battery charger is exposed to adverse or extreme weather conditions, then it must be allowed to adjust to the difference in environmental conditions before use indoors. Refer to the manual supplied with the battery charger for more information.



## VII. COMFORT ADJUSTMENT

### ● SEAT HEIGHT ADJUSTMENT

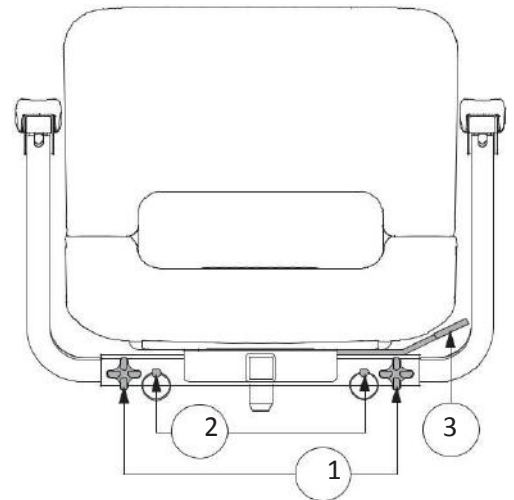
1. Remove the seat and battery pack from the Travel Scooter.
2. Loosen seat post adjustment knob, pull and remove the detent pin from the lower portion of the seat post.
3. Raise or lower the upper seat post to the desired seat height.
4. While holding the upper seat post at that height, align the adjustment holes of the upper and lower seat post.
5. Fully insert the detent pin and tighten the seat post knob.
6. Replace the battery pack and seat.



● **ARMREST WIDTH ADJUSTMENT**

The armrest width can be adjusted inward or outward.

1. Loosen the armrest adjustment knobs.
2. Use the attached ring to pull and remove the detent pin.
3. Slide the armrests in or out to the desired width.
4. Align the adjustment holes on the seat frame and armrest, then re-insert the detent pin.
5. Tighten the armrest adjustment knobs.



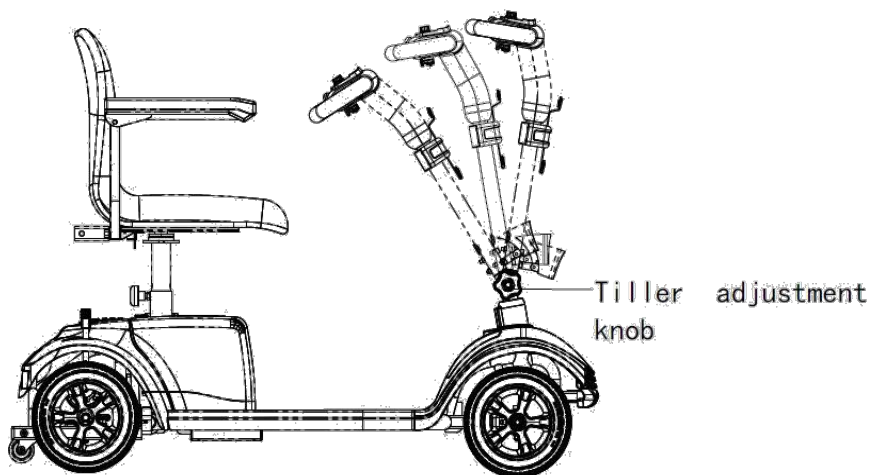
● **TILLER ANGLE ADJUSTMENT**



**WARNING! Remove the key from the key switch before adjusting the tiller or the seat. Never attempt to adjust the tiller or the seat while the Travel Scooter is in motion.**

1. Loosen the tiller angle adjustment knob.
2. Adjust the tiller to the desired position.
3. Tighten the tiller adjustment knob.





## VIII. CARE AND MAINTENANCE

### ● Clean the battery

1. Turn 「OFF」。
2. Open the battery pack and take out the battery, clean it
3. If there is white powder existing on the terminal connections, please clean it then re-assemble the pack.

**Note: If the scooter is unused for a long period of time, then the batteries should be charged regularly once a week to keep the batteries at full status.**

### ● Storage

If you plan on not using your Scooter for an extended period of time, it is best to:

- Fully charge its batteries prior to storage.
- Store your Scooter in a warm, dry environment.
- Avoid storing your Scooter where it will be exposed to temperature extremes.



**WARNING! Always protect batteries from freezing temperatures and never charge a frozen battery. Charging a frozen battery can result in damage to the battery.**

## ● Maintenance

1. Regularly check all wiring connections. Regularly check all wiring insulation, including the charger power cord, for wear or damage. Have your authorized Provider repair or replace any damaged connector, connection, or insulation that you find before using your Travel Scooter again
2. You should keep electrical connections away from sources of dampness, including direct exposure to water or bodily fluids and incontinence. Check electrical components frequently for signs of corrosion and replace as necessary.
3. Use a damp cloth and mild, non-abrasive cleanser to clean the plastic and metal parts of your Travel Scooter. Avoid using products that may scratch the surface of your Travel Scooter. If necessary, clean your product with an approved disinfectant. Make sure the disinfectant is safe for use on your product before application.

## DISPOSAL OF YOUR SCOOTER

Your Scooter must be disposed of according to applicable local and national statutory regulations. Contact your local waste disposal agency or authorized service centre for information on proper disposal of packaging, metal frame components, plastic components, electronics, and batteries.

## IX. FAULT DIAGNOSIS

### DIAGNOSTIC FLASH CODES

The diagnostic flash codes for your Travel Scooter are designed to help you perform basic troubleshooting quickly and easily. A diagnostic flash code will sound in the event one of the conditions listed below develops. Depending on the model you own, your Travel Scooter will communicate by one of the coding methods as follows:

1. A flash code will begin with a series of fast flashes directly followed by slower flashes which indicates the actual code. The flash code is only flashed once. To repeat the flash code, remove the key, then reinsert it and turn it to the “on” position, **OR**
2. A flash code will identify the condition, pause, then repeat the flash code. The flash code will continue to alert you in this manner until the scooter is turned off.

***NOTE: Your Travel Scooter will not run unless the flash code condition is resolved and the Travel Scooter has been turned off, then turned back on***

<b>FLASH CODE</b>	<b>CONDITION</b>	<b>SOLUTION</b>
1	Battery voltage is too low to operate the travel scooter.	Charge batteries.
2	Battery charge is too low.	Charge batteries.
3	The battery voltage is too high to operate the scooter or the charger is still connected to the off-board charger port.	Unplug charger and/or turn key off, then back on again. If traveling down a slope reduce speed to the minimum setting.
4	Current limit time out.	Turn the scooter off for a few minutes, then turn back on.
5	The manual freewheel lever is in the forward freewheel position.	Remove the key from the key switch, then push the manual freewheel lever to the drive position and restart the scooter.
6	Throttle control lever not at centre position at start up.	Verify that the batteries are fully charged. If the batteries are fully charged then return the throttle control lever to centre position, turn the scooter off then back on.
7	Speed Pot error	Contact your authorized dealer for assistance.
8	Motor voltage error	Contact your authorized dealer for assistance.
9	Other internal errors	Contact your authorized dealer for assistance.

# Skippa

## Mobility Scooter

### Owner Manual

